



COLCAB

QUALITY DISPLAY SOLUTIONS

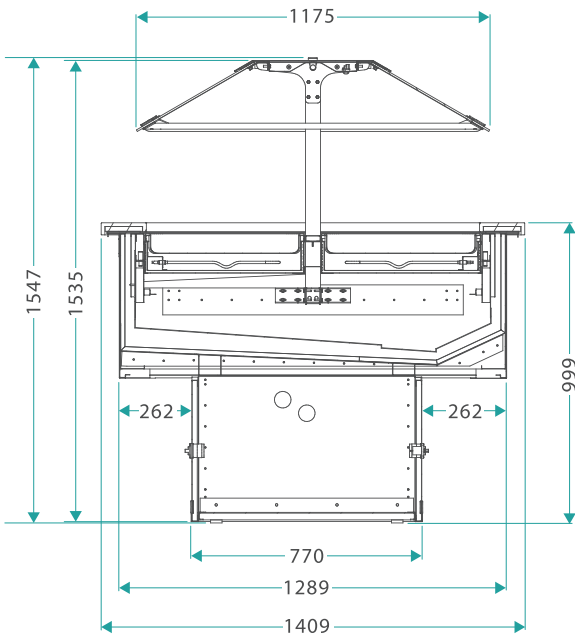


HOT-TO-GO WALK AROUND

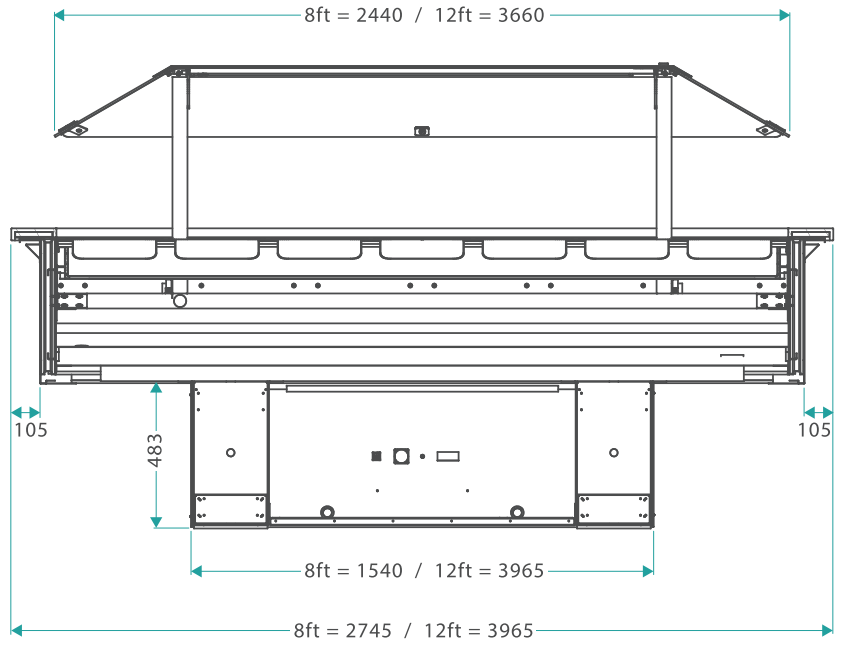
HOT-TO-GO WALK AROUND

Product Code: B4101

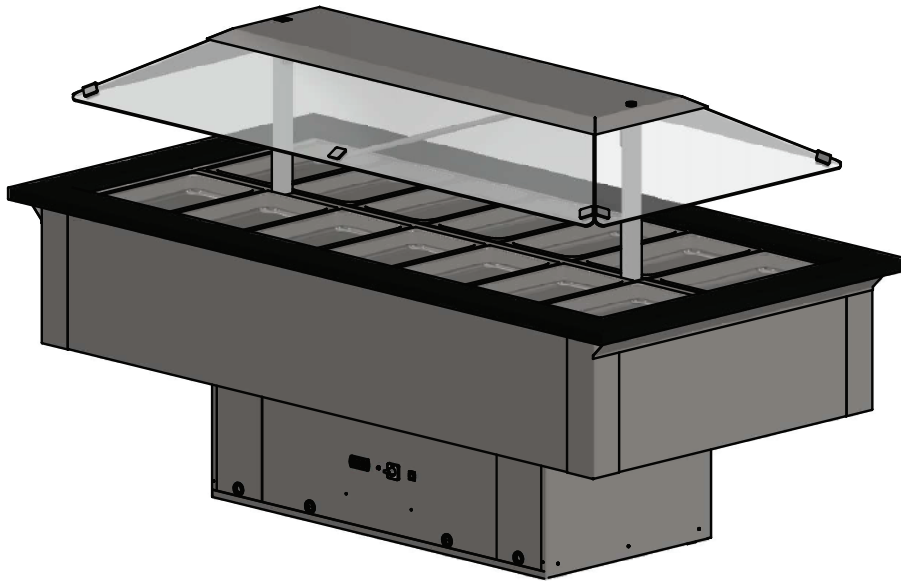
Available in: 8ft / 12ft



SIDE SECTION VIEW



FRONT SECTION VIEW



STANDARD SPECIFICATIONS

- Salad Bowls
- Ticket Rails
- Valves (Brass Thermostatic)
- Electronic Display
- Lids
- Shaded Pole Fans
- 2 x Probes (Air Off & Defrost)
- Canopy LED Lights

HEATING REQUIREMENT	PHYSICAL PROPERTIES		ELECTRICAL SPECIFICATIONS	
Product Temperature	Size	TDA (m ²)	Heaters Dry Elements	Lighting Case (LED)
65°C	8ft	1.65	14 x 500W	2 x 17W = 34W
	12ft	2.27	20 x 500W	2 x 30W = 60W

Specifications subject to change without notice. Designed for optimal performance in store environments where temperature and humidity do not exceed 25°C & 60% RH.



COLCAB
QUALITY DISPLAY SOLUTIONS

CAPE TOWN, SOUTH AFRICA
T +27 (21) 907 2800 E info.cpt@colcabct.co.za
WWW.COLCAB.CO.ZA

Partnering With People To Create Exceptional Value